



**Powerology**

**SOLARA 10000mAh  
SOLAR POWER BANK**

SKU: PPBCHA100KH

# **Table of Contents**

Product Overview	2
Specifications	2
Package Contents	3
Schematic View	3
Operating Instructions	4
LED Indicator	6
Button Functions	7
Precautions	7
FCC Statement	8
Disposal	9
Warranty	10
Contact Us	10

## Product Overview

The Powerology Solara 10000mAh Solar Power Bank is a robust and high-performance portable charger designed to provide reliable power in various environments. Featuring solar charging capability, this power bank ensures you're never without power, even when off the grid. Equipped with dual LED panels, it delivers up to 1200 lumens of maximum brightness, making it a versatile tool for outdoor activities. With three light modes, you can adjust the brightness based on your needs. Its IP65 rating ensures water resistance, while built-in safeguards protect your devices during charging. Supporting both PD 20W and QC 22.5W fast charging, the Solara allows for simultaneous charging of multiple devices, making it an essential companion for outdoor adventures, camping, or emergency preparedness. The power bank's rugged design offers durability, and its convenient tripod feature enhances its functionality in various settings.

## Specifications

Material	PC + ABS
Battery Capacity	10000mAh/37Wh
USB-C Input	5V/3A, 9V/2A, 12V/1.5A, PD 18W Max
USB-C Output	5V/3A, 9V/2.2A, 12V/1.67A, PD 20W Max
USB-A Output	5V/3A, 9V/2A, 12V/1.5A, 10V/2.25A, QC 22.5W Max
USB-C+USB-A Outputs	5V/3A, 15W Max
Solar Panel Input	250mA
Brightness	1200 lm

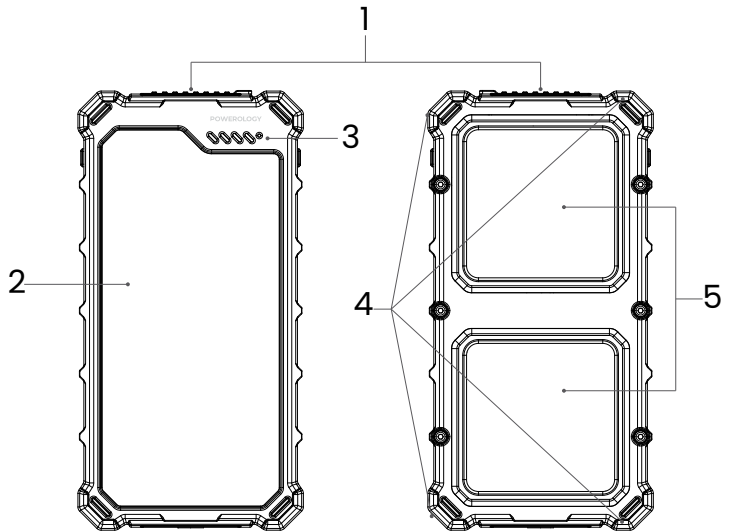
Water Resistance Level	IP65
Light Modes	Flashlight, SOS, Caution Light
Product Weight	303.5g
Product Size	22 x 76 x 148 mm
Model Number	PPBCHA100

## Package Contents

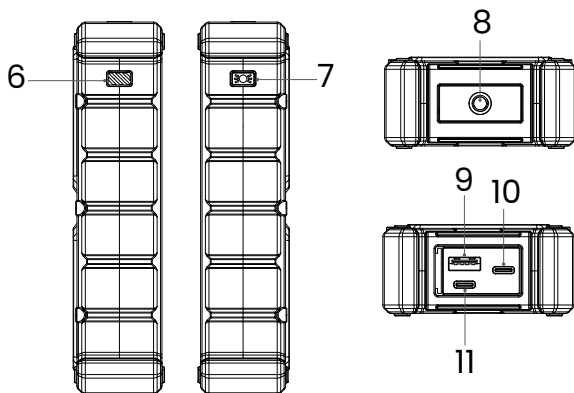
- Power Bank x1
- Charging Cable x1
- Lanyard x1
- Screw x1
- Tripod x1

## Schematic View

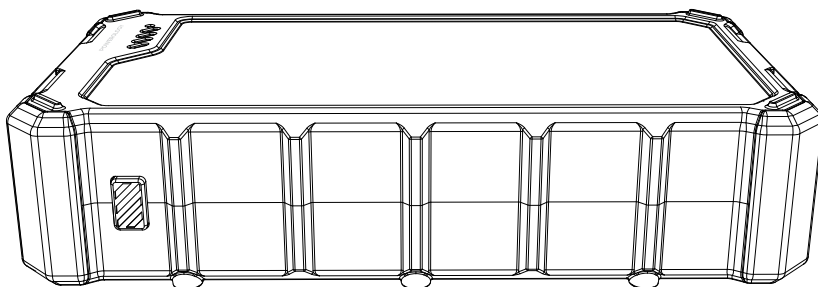
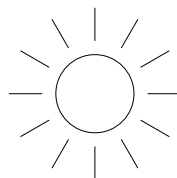
1. Silicone Cover
2. Solar Panel
3. Power Indicator
4. TPU Corners
5. LED Lights



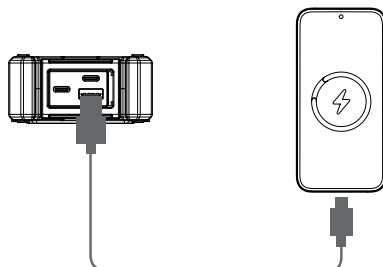
- 6. Power Button
- 7. LED Light Button
- 8. 4/1-20" Threading
- 9. USB Port
- 10. Type-C Port
- 11. Type-C Port



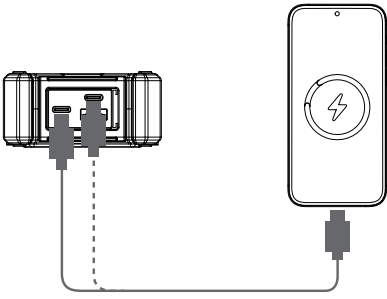
## Operating Instructions



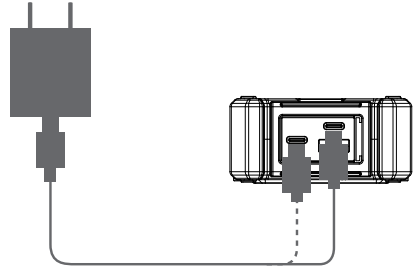
1. When the product is being charged via solar energy, the indicator light next to the power indicator will turn on.



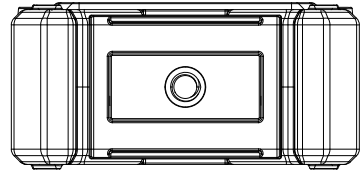
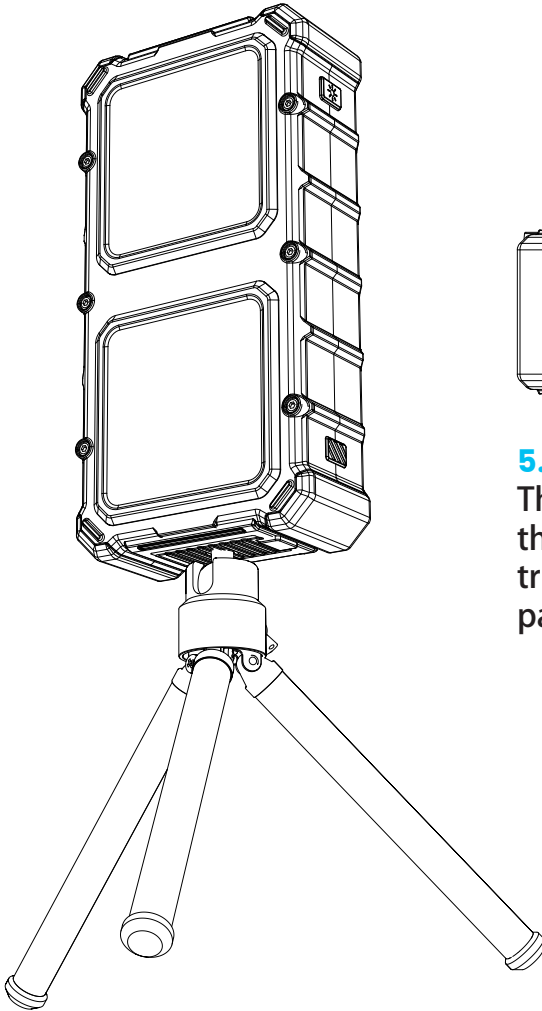
2. USB Output



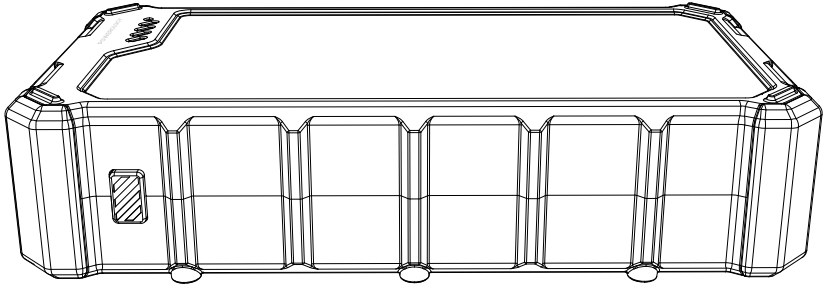
**3.** Type-C Output



**4.** Type-C Input

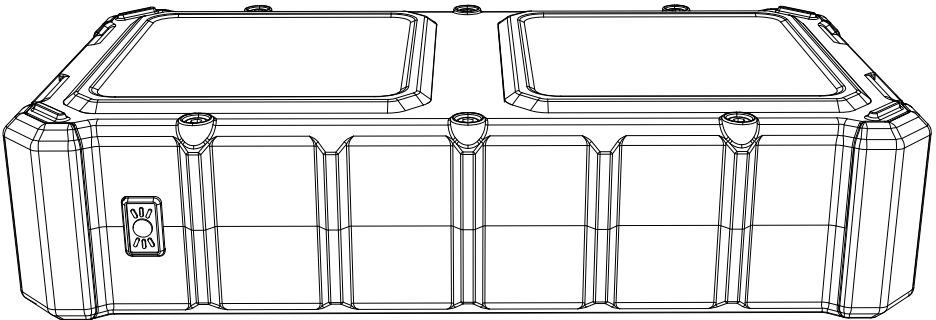


**5.** Built-in Tripod Thread  
The bottom has 1/4-20" threading that supports tripods and other compatible attachments.



## LED Indicator

1. LED5 is a combination of green and blue lights with specific indicators during charging and solar charging.
2. During charging, when the green light is on, it indicates that the fast charging mode is active. All lights will stop blinking when the charging current drops below 30mA.
3. During solar charging, the white lights blink in sequence to indicate the charging progress. Additionally, LED5's blue light turns on during this process.
4. The blue light will turn off after a one-second delay if no sunlight is detected.



## Button Functions

### 1. Flashlight Button (Light Modes & Brightness)

#### a. Turn On & Mode Cycling

Double-press quickly to turn on the light.

#### b. Press repeatedly to cycle through modes:

Lighting → SOS Flash → Warning Strobe → back to Lighting

#### c. Instant Turn-Off

Double-press quickly in any mode to immediately turn off.

### 2. Brightness Control

(Only works in Lighting mode)

#### a. Press and hold:

Brightness gradually dims (from the current level to the darkest).

#### b. Release and hold again:

Brightness gradually brightens (from darkest to brightest).

#### c. Default brightness: Medium.

## Precautions

1. Charging time is an estimate; actual times may vary.

2. Use a cable that fits your phone or device.

3. It's normal for the device to get slightly warm during charging or discharging.

4. Store in a cool, dry place. If storing long-term (over 3 months), fully charge it and check the charge level every 3 months.

5. To preserve the battery, charge and recharge the power bank every 6 months.

6. If the power bank hasn't been used for a long time, fully charge it using a standard charger (not fast charging) before regular use.

7. Always use the original or a compatible, high-quality cable to charge the power bank.



8. Keep metal objects and sharp items away to prevent scratches and damage.
9. Do not open or take apart the solar panel of the power bank. Avoid dropping it or applying strong pressure.
10. Never place the power bank directly on hot ground, especially in summer. High-temperature ground can damage the battery or trigger the product's temperature protection, stopping solar charging. Place the product on a cooler surface, like a bench or backpack.
11. Temperature Protection:
  - a. Discharging: If the product gets too hot (above 60°C / 140°F), it will automatically stop to protect itself. Charging and discharging will resume once it cools down (below 55°C / 131°F).
  - b. Charging: Extremely high temperatures (above 50°C / 122°F) can also stop the product from working. It will restart once cooled below about 45°C / 113°F.
12. When charging the device via Type-C, the LED light panels cannot be turned on.
13. Avoid opening or taking apart the product.
14. Keep away from open flames and extreme heat.
15. Do not place a heavy weight or pressure on the power bank.
16. Keep out of the reach of children.
17. Avoid leaving the product in a closed car for long periods, especially in hot weather.
18. If the power bank swells, bulges, or gets damaged, stop using it immediately and contact your local distributor.

## FCC Statement

1. This device complies with Part 15 of the FCC Rules. Operation is subject to the following two conditions:
  - (1) This device may not cause harmful interference; and
  - (2) This device must accept any interference received, including

interference that may cause undesired operation.

**2.** Changes or modifications not expressly approved by the party responsible for compliance could void the user's authority to operate the equipment.

**Note:** This equipment has been tested and found to comply with the limits for a Class B digital device, pursuant to Part 15 of the FCC Rules. These limits are designed to provide reasonable protection against harmful interference in a residential installation.

This equipment generates and can radiate radio frequency energy, and if not installed and used in accordance with the instructions, may cause harmful interference to radio communications. However, there is no guarantee that interference will not occur in a particular installation. If this equipment does cause harmful interference to radio or television reception, which can be determined by turning the equipment off and on, the user is encouraged to try to correct the interference by one or more of the following measures:

Reorient or relocate the receiving antenna.

Increase the separation between the equipment and receiver.

Connect the equipment to an outlet on a circuit different from that to which the receiver is connected.

Consult the dealer or an experienced radio/TV technician for assistance.

RF warning statement:

The device has been evaluated to meet general RF exposure requirements. The device can be used in portable exposure conditions without restriction.

## **Disposal**

This product must not be disposed of as unsorted household waste. It is important to separate such waste for proper treatment and recycling, in compliance with local waste management regulations.

## **Warranty**

Products that you buy directly from our **Powerology** website or shop come with a 12-month warranty.

The 12-month warranty applies to products purchased directly from our **Powerology** website or store. If **Powerology** products are bought from any of our verified retailers, then the product is eligible for only a 12-month warranty. To extend your product's warranty, visit our website **<https://www.powerology.me/warranty>** and fill in your details in the provided form along with an uploaded picture of the product to process your request. Once approved, you will receive a confirmation email of the extended product warranty. Upload the required information within 48 hours of purchase to be eligible for a 12-month warranty period.

For more info, please check:

**<https://www.powerology.me/warranty>**

## **Contact Us**

If you have any questions about this Privacy Policy, please contact us at: **[hey@powerology.me](mailto:hey@powerology.me)**

Website: **<https://www.powerology.me/>**

Instagram: **[powerology\\_official](#)**

Facebook: **[powerology.ME](#)**