



Powerology

CRAB
FOLDABLE EU GAN CHARGER

SKU: PWCUQC066BK

Table of Contents

Product Overview	2
Specifications	2
Product Features	3
Usage Guide	4
Sharing Output	4
Safety Precautions	5
FCC Statement	6
Disposal	7
Warranty	8
Contact Us	8

Product Overview

The Powerology CRAB Foldable EU GaN Charger delivers a powerful 45W fast-charging solution, designed for efficiency and portability. Using advanced GaN (Gallium Nitride) technology, this charger ensures rapid charging while maintaining a compact and space-saving design. It features a 90-degree foldable plug, making it perfect for travel and easy storage. With multi-device compatibility, it supports various gadgets, providing versatile charging options. The charger is equipped with advanced safety features to protect your devices from overcurrent, overheating, and short circuits. Its sleek design and high-power performance make it an excellent choice for those needing a reliable, travel-friendly charging solution.

Specifications

Material	PC
Input	AC 110-240V
Rated Frequency	50/60Hz
USB-C Output	5V/3A, 9V/3A, 12V/3A, 15V/2.3A, 20V/2.25A, 45W Max
USB-A Output	5V/3A, 9V/2A, 12V/1.5A, 18W Max

USB-C + USB-A Output	25W+18W
Total Output	45W Max
Plug Type	EU 2-Pin
Product Size	36.5 × 49 × 58mm
Model Number	PWCUQC066

Product Features

- 1.** The charger delivers superior energy conversion, ensuring that more of the input power is effectively used to charge your devices, minimizing energy loss and optimizing charging performance.
- 2.** With low ripple, the charger ensures smooth and stable power delivery to your devices, reducing any fluctuations or interference that might affect the device's charging efficiency or cause damage.
- 3.** Designed with portability in mind, this charger is both lightweight and compact, making it easy to carry and store, ideal for travel or everyday use.
- 4.** The charger is equipped with advanced safety features that protect both the device and charger from potential damage caused by electrical issues like excessive current, voltage spikes, or overheating, ensuring safe operation under various conditions.

5. This charger is engineered to operate efficiently even with low voltage inputs, making it suitable for use in regions with 100V A/C power sources and ensuring wide compatibility with different electrical grids.

Usage Guide

After receiving your new PD GaN Wall Charger, follow these steps to ensure proper operation:

- a.** Plug the PD GaN Charger into the AC socket.
- b.** Connect the charging cord to the electric socket.
- c.** Insert the connector into your device.

Sharing Output

a. USB-C Output:

PD 5V/3A (15W), 9V/3A (27W), 12V/3A (36W), 15V/3A (45W), 20V/2.25A (45W)

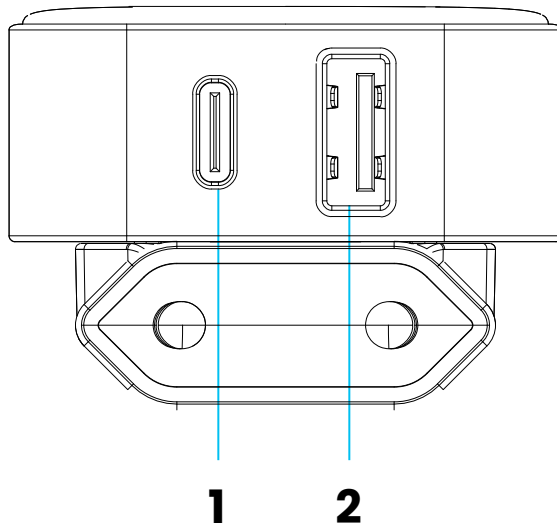
b. USB-A Output:

PD 5V/3A (15W), 9V/2A (18W), 12V/1.5A (18W)

c. Combined Output:

(1) + (2): 25W + 18W

Total Output: 45W



Safety Precaution

- 1.** Before use, check that the connector matches your device's input.
- 2.** Before using the Wall Charger, carefully read the instructions that came with your device to ensure that the specifications are compatible. We are not responsible for any damage caused by improper use.
- 3.** Do not attempt to service or disassemble the unit. The unit is not user-serviceable. Attempting to disassemble or service the unit can result in electrical hazards, including death from exposure to high voltage. If you experience problems with the unit, discontinue use and contact us for assistance. Attempting to open or service the unit voids all warranties, express or implied.
- 4.** Make sure the connector tip fits your device.
- 5.** Avoid pulling on the cords and cables. Always unplug plugs

firmly when disconnecting from the power source, and never force a power tip into an electronic device.

6. To avoid electrical hazards, be sure to unplug the PD GaN Charger from its external power source before attaching the power tip.

7. For indoor use only. Avoid exposure to external heat sources, direct prolonged sunlight, dust, corrosive chemicals, and moisture.

8. It is normal for the PD GaN Charger to become warm during use. Avoid touching the device during use and do not place it in direct sunlight or near heat-sensitive materials.

9. Do not drop or subject the PD GaN Charger to undue shock.

10. Do not place anything on top of the PD GaN Charger.

11. Always use the supplied cables and connectors as shown. The use of cables, connectors, or accessories not supplied with this product constitutes misuse and may result in injury or damage.

FCC Statement

1. This device complies with Part 15 of the FCC Rules. Operation is subject to the following two conditions:

(1) This device may not cause harmful interference; and

(2) This device must accept any interference received, including interference that may cause undesired operation.

2. Changes or modifications not expressly approved by the party responsible for compliance could void the user's authority to operate the equipment.

Note: This equipment has been tested and found to comply with the limits for a Class B digital device, pursuant to Part 15 of the

FCC Rules. These limits are designed to provide reasonable protection against harmful interference in a residential installation.

This equipment generates and can radiate radio frequency energy, and if not installed and used in accordance with the instructions, may cause harmful interference to radio communications. However, there is no guarantee that interference will not occur in a particular installation. If this equipment does cause harmful interference to radio or television reception, which can be determined by turning the equipment off and on, the user is encouraged to try to correct the interference by one or more of the following measures:

Reorient or relocate the receiving antenna.

Increase the separation between the equipment and receiver.

Connect the equipment to an outlet on a circuit different from that to which the receiver is connected.

Consult the dealer or an experienced radio/TV technician for assistance.

RF warning statement:

The device has been evaluated to meet general RF exposure requirements. The device can be used in portable exposure conditions without restriction.

Disposal

This product must not be disposed of as unsorted household waste. It is important to separate such waste for proper treatment and recycling, in compliance with local waste management regulations.

Warranty

Products that you buy directly from our **Powerology** website or shop come with a 24-month warranty.

The 24-month warranty applies to products purchased directly from our **Powerology** website or store. If **Powerology** products are bought from any of our verified retailers, then the product is eligible for only a 12-month warranty. To extend your product's warranty, visit our website <https://www.powerology.me/warranty> and fill in your details in the provided form along with an uploaded picture of the product to process your request. Once approved, you will receive a confirmation email of the extended product warranty. Upload the required information within 48 hours of purchase to be eligible for a 24-month warranty period.

For more info, please check:

<https://www.powerology.me/warranty>

Contact Us

If you have any questions about this Privacy Policy, please contact us at: hey@powerology.me

Website: <https://www.powerology.me/>

Instagram: [powerology_official](#)

Facebook: [powerology.ME](#)