



Powerology

**6 IN 1 SLIM FAST DATA & CHARGE
USB-C HUB WITH HDMI**

SKU: P61HBCGY

Table of Contents

Product Overview	2
Specifications	2
Schematic View	3
Safety Precautions	4
IC Caution Statement	4
FCC Statement	5
Disposal	7
Warranty	8
Contact Us	8

Product Overview

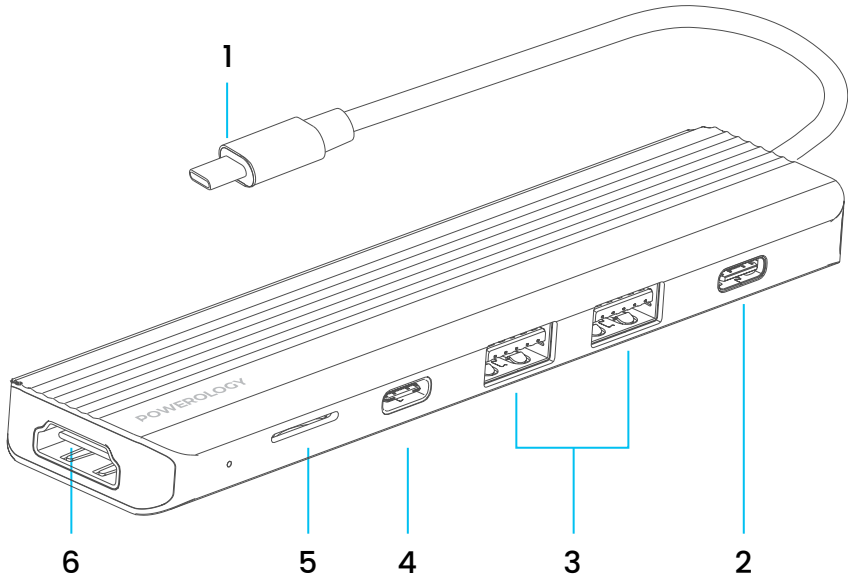
The Powerology 6-in-1 Slim USB-C Hub with HDMI is a versatile and compact solution designed for fast data transfer and charging. It features a 4K Ultra HD HDMI port, allowing you to connect to external displays in high resolution. Equipped with two USB 3.2 ports, it allows data transfer speeds of up to 10Gbps. This hub ensures efficient data transfer while simultaneously charging devices with up to 100W power delivery. It also includes a microSD card slot for additional storage options and is a perfect option for users looking to expand their connectivity without compromising on space. Ideal for both professional and personal use, this hub offers seamless performance and reliability.

Specifications

Material	Aluminum
USB-C Input	100W Power Delivery
USB-C Data	10Gbps Super Speed
USB-A Data	2x 10Gbps Super Speed
HDMI	4K UHD @ 60Hz

Micro SD	Supports v3.0
Compatibility	Android, iOS, Windows, Mac
Product Size	11 x 31 x 130mm
Model Number	P61HBC

Schematic View



- 1. Type-C Input
- 2. USB-C 100W PD
- 3. USB 3.2 (10Gbps)
- 4. USB-C 3.2 Port
- 5. USB 3.2 (10Gbps) Micro SD
- 6. HDMI Port (4K@60Hz or 4K@30Hz)

Safety Precautions

1. Ensure the device is used in a well-ventilated area to prevent overheating to allow heat dissipation.
2. Do not attempt to open or disassemble the hub. Contact authorized service centers for repairs or issues.
3. Use only the recommended power supply. Ensure that the USB-C hub is connected to a properly grounded power source to avoid electrical hazards.
4. Keep the device away from water, liquids, or excessive humidity. Do not attempt to clean the hub with wet cloths or immerse it in water.
5. Ensure that the cables are securely connected. Do not force connections, and check for any visible damage to cables before use.
6. Do not exceed the recommended power input. Only use the USB-C hub with compatible devices and accessories to avoid damaging the hub or connected devices.
7. When not in use, store the hub in a dry, cool place away from direct sunlight and extreme temperatures to prolong its lifespan.

IC Caution Statement

Radio Standards Specification RSS-Gen, Issue 5 - English:
This device contains license-exempt transmitter(s)/receiver(s) that comply with Innovation, Science and Economic Development Canada's license-exempt RSS(s).

Operation is subject to the following two conditions:

This device may not cause interference.

This device must accept any interference, including interference that may cause undesired operation of the device.

RF Exposure Statement:

The device has been evaluated to meet the general RF exposure requirements. The device can be used in portable exposure conditions without restriction.

French:

Cet appareil contient des émetteurs/récepteurs exemptés de licence conformes aux RSS d'Innovation, Sciences et Développement économique Canada. Le fonctionnement est soumis aux deux conditions suivantes :

Cet appareil ne doit pas causer d'interférences.

Cet appareil doit accepter toutes les interférences, y compris celles susceptibles de provoquer un fonctionnement indésirable de l'appareil.

Déclaration d'exposition RF :

L'appareil a été évalué pour répondre aux exigences générales d'exposition aux RF. L'appareil peut être utilisé dans des conditions d'exposition portable sans restriction.

FCC Statement

1. This device complies with Part 15 of the FCC Rules. Operation is subject to the following two conditions:

(1) This device may not cause harmful interference; and

(2) This device must accept any interference received, including interference that may cause undesired operation.

2. Changes or modifications not expressly approved by the party responsible for compliance could void the user's authority to operate the equipment.

Note: This equipment has been tested and found to comply with the limits for a Class B digital device, pursuant to Part 15 of the FCC Rules. These limits are designed to provide reasonable protection against harmful interference in a residential installation.

This equipment generates and can radiate radio frequency energy, and if not installed and used in accordance with the instructions, may cause harmful interference to radio communications. However, there is no guarantee that interference will not occur in a particular installation. If this equipment does cause harmful interference to radio or television reception, which can be determined by turning the equipment off and on, the user is encouraged to try to correct the interference by one or more of the following measures:

Reorient or relocate the receiving antenna.

Increase the separation between the equipment and receiver.

Connect the equipment to an outlet on a circuit different from that to which the receiver is connected.

Consult the dealer or an experienced radio/TV technician for assistance.

RF warning statement:

The device has been evaluated to meet general RF exposure requirements. The device can be used in portable exposure conditions without restriction.

Disposal

This product must not be disposed of as unsorted household waste. It is important to separate such waste for proper treatment and recycling, in compliance with local waste management regulations.



Warranty

Products that you buy directly from our **Powerology** website or shop come with a 24-month warranty.

The 24-month warranty applies to products purchased directly from our **Powerology** website or store. If **Powerology** products are bought from any of our verified retailers, then the product is eligible for only a 12-month warranty. To extend your product's warranty, visit our website <https://www.powerology.me/warranty> and fill in your details in the provided form along with an uploaded picture of the product to process your request. Once approved, you will receive a confirmation email of the extended product warranty. Upload the required information within 48 hours of purchase to be eligible for a 24-month warranty period.

For more info, please check:

<https://www.powerology.me/warranty>

Contact Us

If you have any questions about this Privacy Policy, please contact us at: hey@powerology.me

Website: <https://www.powerology.me/>

Instagram: [powerology_official](https://www.instagram.com/powerology_official)

Facebook: [powerology.ME](https://www.facebook.com/powerology.ME)