



**Powerology**

**Magnetic Phone Mount - Titanium**

SKU: PMGPMNTI

Before installing and using the product, please carefully read this User Manual to guarantee correct usage and keep it secure for future reference.

## Features

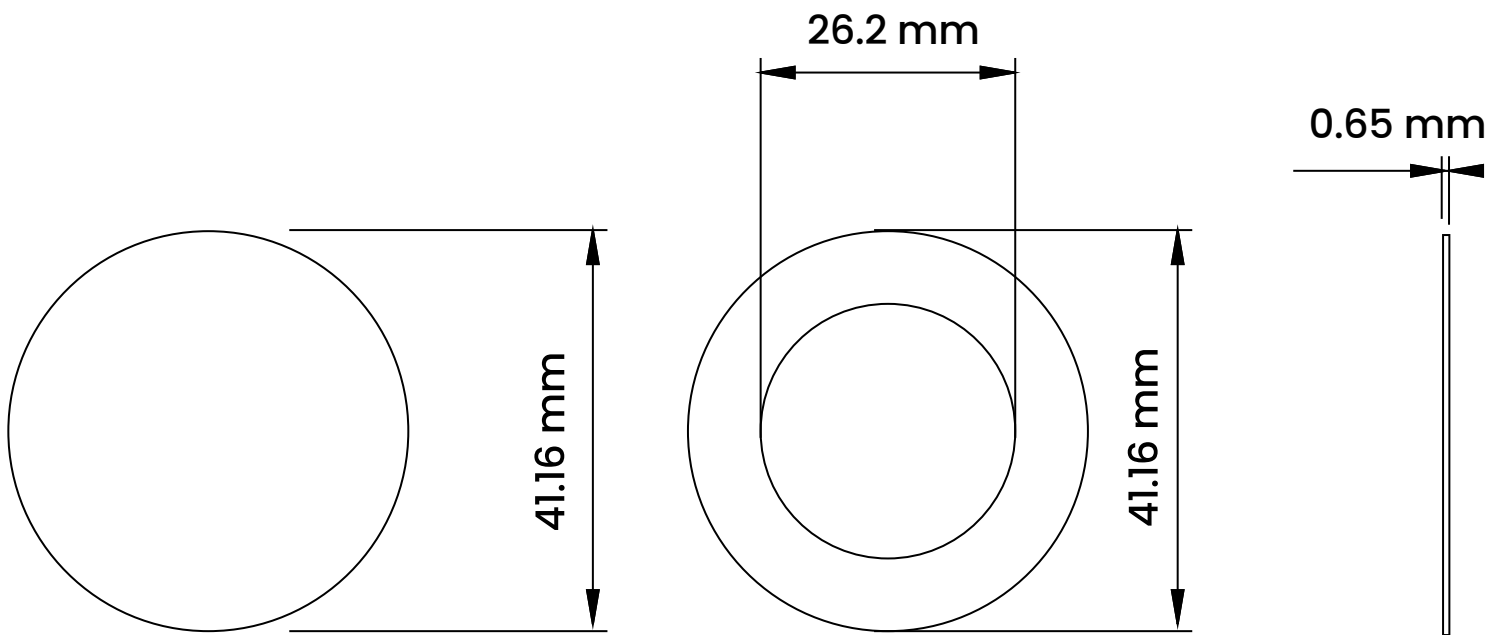
1. Crafted from high-quality aluminum alloy, this detachable mount is robust and dependable.
2. Features an upgraded array of 17\*N52 high-grade permanent magnets for superior hold.
3. Designed to be compatible with iPhone models 12/13/14/15 with MagSafe. Affix the included 3M metal ring at the center on the back of the phone case for standard cases.
4. Equipped with a reliable 3M VHB adhesive pad that ensures a strong bond in various temperature and cold weather.
5. The stick-on design allows for versatile positioning on the vehicle's dashboard.
6. Offers a horizontal 360-degree adjustable joint ball for optimal viewing angles, allowing you to rotate your smartphone or adjust the display as preferred.
7. Safely and quickly secure a mobile device to almost any flat surface, whether in a vehicle, at home, or in an office environment.
8. For best adhesion results, allow at least 24 hours after installation before use, ensuring the 3M adhesive (both the ring plate and the product's bottom adhesive) is properly set.

## Specifications

Product Material	Aluminium alloy + silicone + PC lens + steel + 5962VHB
Product Magnets	>18.6N
Product Weight	140.5gr
Product Size	34.4×59.5×59.5mm

Product Color	Natural Titanium
Loading-Bearing	300gr
Product Compatibility	4.7" to 6.8" mobile phones
Applicable Scenes	Car, office, home
Product Adjustment View	Horizontal 360°, vertical 60°

## Dimensions



## **Warranty**

Products that you buy directly from our **Powerology** website or shop come with a 24-month warranty.

The 24-month warranty applies to products purchased directly from our **Powerology** website or store. If **Powerology** products are bought from any of our verified retailers, then the product is eligible for only a 12-month warranty. To extend your product's warranty, visit our website **powerology.me/warranty** and fill in your details in the provided form along with an uploaded picture of the product to process your request. Once approved, you will receive a confirmation email of the extended product warranty. Upload the required information within 48 hours of purchase to be eligible for a 24-month warranty period.

For more info, please check:  
**powerology.me/warranty**

## **Contact Us**

If you have any questions about this Privacy Policy, please contact us at: **hey@powerology.me**

Website: **powerology.me**

Instagram: **powerology\_official**

Facebook: **powerology.ME**