



Made for
Apple iPhone | iPad

WIRELESS LAVALIER MICROPHONE - DUO

LIGHTNING AND TYPE-C CONNECTORS

■ Foreword

Dear user:

Thank you for choosing dual wireless camera microphone. In order to better understand the use of this product, it is recommended that you read this manual carefully before use.

■ Features

- › Original lightning connector, no more worry about IOS ecosystem, and safe to use.
- › Three-in-one universal receiver, lavalier design, compact and convenient.
- › 2.4G wireless transmission technology, stable transmission distance can be up to 120 meters.
- › Real-time monitoring, free switching of three volume levels.
- › Three noise reduction modes can be switched freely, to meet accurate pickup in any complex environment.
- › Support TF card local audio storage, no more worry about file loss.
- › The microphone can be used as a recording pen alone, and the recording can be saved synchronously anytime and anywhere in any environment.
- › Microphone and receiver with 3.5 mm cable which is used for camera can last 12 hours continuous interviews.
- › Equipped with a charging case, the transmitter and receiver are more convenient to store and charge; interviews.
- › The charging case has a large battery of 2000mAh that can be recharged, which is the first choice for travel and make a Live.

■ Applications

- › Live, Vlog, Video-shooting, Interview and others.

■ Packing List

Charging case(two mic and one receiver)	1PCS
Microphone transmitter	2PCS
3 in 1 Receiver	1PCS
Audio cable	1PCS
Charging cable	1PCS
Earphone	1PCS
Wind-proof	2PCS
User manual	1PCS

■ Specifications

Charging case

Input voltage: DC 4.8V~5.4V

Charging time: 90 mins

Weight: about 128.2g

Battery capacity: 2000 mAh

Recharge times: recharge 3 times for microphone and receiver

Charging case size: 111*79*34.4mm

Microphone specification

Frequency: 2.4GHz

Latency: 25 ms

Frequency response range: 20-20KHz

DC: 4.8~5.4V

Sensitivity: -26 dBFS

Microphone size: 47.1*15.04*15.61mm

Battery: 230mAh

Working time: 12 hrs

Charging time : about 80 mins

Weight: about 14g

S/N Ratio: 64 dB

Receiver specification

Frequency: 2.4GHz

Latency: 25 ms

Frequency response range: 20-20KHz

DC: 4.8~5.4V

Microphone size: 47.5*13.47*7.95mm

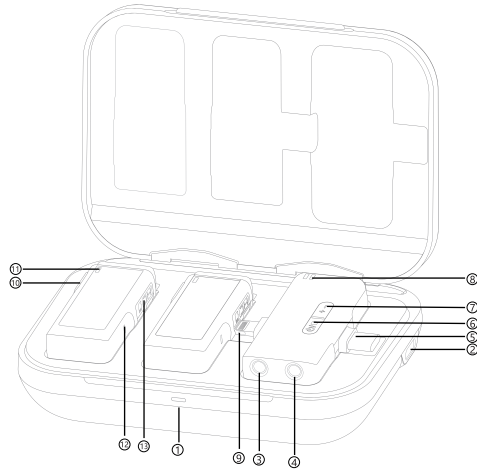
Battery: 230mAh

Working time: 12 hrs

Charging time : about 80 mins

Weight: about 18.7g

■ Functions



1. Charging case indicator light

2. Type-C charging port

3. 3.5mm monitoring port

4. 3.5 mm adapter cable port

5. Type-C receiver

6. Power /reset button

7. Volume/noise key

8. Indicator light on the receiver

9. Lightning receiver

10. Power /Mute key *2

11. Indicator light on the microphone *2

12. Reset key on the transmitter *2

13. TF memory card slot *2

■ Microphone transmitter functions

No.	State	Operation	Light
1	Power on	1.Open the charging case and take out the microphone 2.Click the power button	Green light for one second
2	Power off	1.Put it in the charging case and close the cover 2.Press power button for 3 secs	/
3	Search for pairing	No pairing object	Green light flashes slowly
4	Paired	Connection succeeded	Green light is always on
5	Clear pairing/re-pairing	Three-click the power button within 10 secs after power on	Red and green light flashes quickly
6	Mute/pick-up	Click the power button to switch mute/pick-up Mute: stop recording Pick-up: start recording	/
			Mute: the green light flashes quickly
			Pick-up: Green light is always on
7	Charging	Put it in the charging case and close the cover	Charging: Blue light flashes
			Fully charged: Blue light off
8	Low power	Below 3.3 V voltage	Red light flashes quickly
9	Automatic power-off	Below 3.3V or no connection for over 15 minutes	Light off
10	TF card automatic Recording	After the connection is successful, it will automatically enter the TF card recording mode.	Green light is always on
11	Use the microphone as a recorder alone (no pair with receiver)	Click the power button to switch to start recording / stop recording (auto save the file)	Blue light flashes slowly when recording and green light flashes slowly when stopping recording
12	when the microphone has no TF card	Recording fails	Blue light is always on
13	The microphone has a TF card but the TF card is damaged	Recording fails	Blue light is always on

■ Receiver functions

No.	State	Operation	Light
1	Power on	1.Open the charging case and take out the receiver 2.Click the power button	Green light for one second
2	Power off	1.Put it in the charging case and close the cover 2.Press power button for 3 secs	/
3	Search for pairing	No pairing object	Green light flashes slowly
4	Paired	Connection succeeded	Green light is always on
5	Clear pairing/re-pairing	Three-click the power button within 10 secs after power on	Red and green light flashes quickly
6	Charging	Put it in the charging case and close the cover Mute: stop recording Pick-up: start recording	Charging: white light flashes
			Fully charged: white light off

Wireless Lavalier Microphone - Duo

7	Mute/pick-up	Click the power button to switch mute/pick-up Mute: stop recording Pick-up: start recording	Mute: the green light flashes quickly Pick-up: Green light is always on
8	Low power	Below 3.3 V voltage	Red light flashes quickly
9	Automatic power-off	Below 3.3V or no connection for over 15 minutes	Light off
10	Volume level switch	Click the volume key	The three levels are cycled in turn
			The prompt tone are as follows: "Beep" (Level 1) "Beep" "Beep" (Level 2) "Beep" "Beep" "Beep" (Level 3)
11	Noise reduction level switch	Double click the noise key	The indicator lights are as follows: Red light flashes once (level 1) Red light flashes twice (level 2) Red light flashes three times (level 3)
			The three levels are cycled in turn The prompt tone are as follows: "Dong" (Level 1) "Dong Dong" (Level 2) "Dong Dong Dong" (Level 3) The indicator lights are as follows: Green light flashes once (level 1) Green light flashes twice (level 2) Green light flashes three times (level 3)

■ Charging case specification

No.	State	Operation	Light
1	Charge the case	Charging with Type-C cable	Charging: red light is always on
			Fully charged: the light is off
2	Battery level indicator of charging case	Open the case/indicator light: 100%-75%	Green light is on for 10 secs
		Open the case/indicator light: 74%-36%	Blue light is on for 10 secs
		Open the case/indicator light: 35%-13%	Red light flashes
3	Charge two transmitters	Put two transmitters in the case and close the cover	Charging: the green, blue light flashes
			Fully charged: corresponding lights are off
4	Charge the receiver	Put the receiver in the case and close the cover	Charging: white light flashes
			Fully charged: white light is off

5	Charge multiple device	Put two transmitters and receiver in the case and close the cover	Charging: White, blue and green light flashes alternately in turn
			Fully charged: corresponding lights are off

Note: The TF card will automatically save a new recording file every time. When the capacity of the memory card is full, the oldest recording file will be automatically deleted.

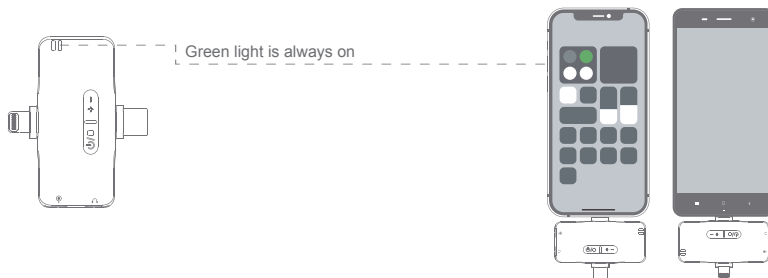
■ Connection instruction

After taking out the device, the indicator lights of the microphones on the receiver and transmitter are always green, it is paired successful. (See as below picture)



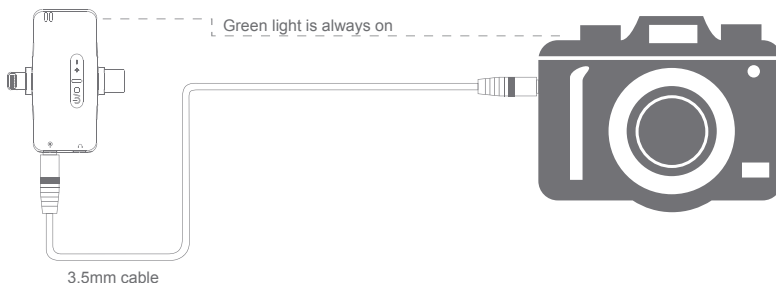
■ Mobile phone connection instruction

Plug the Lightning receiver/Type-C receiver into the Lightning port/Type-C port of the mobile phone, and the green light of the receiver is always on, and the microphone can be used to pick up sound.



■ Camera connection instructions

Plug the 3.5mm cable into the receiver and the 3.5mm hole of the camera respectively, the green light of the receiver is always on, and the microphone can be used to pick up sound.



■ Windows Notebook Operation

Turn on the receiver and connect the TPYE-C port to the TPYE-C jack of the computer, or insert the 3.5 adapter cable to the audio input jack, click the "Speaker" icon at the bottom right of the computer, and then open the sound settings, "Sound" setting option and then click the bottom of the page to select "Voice Input" option, select the corresponding "Microphone" option to confirm.

■ Desktop Windows operation

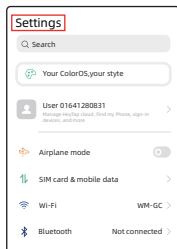
Turn on the receiver, plug in the 3.5mm adapter cable to the audio input port of the host computer, click the "Speaker" icon at the bottom right of the computer, and then open the sound settings, the "Sound" setting option, and then click the "Sound Input" option at the bottom of the page, and select the corresponding "Microphone" option to confirm.

■ MacBook operation

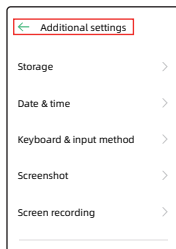
Turn on the receiver and connect the TPYE-C port to the TPYE-C socket of the MacBook. On the MacBook, select the "Settings" option, then click the "Sound", then select the "Sound output" option, click to select "Speaker", and then confirm; then select the "Sound input" option, click to select "Microphone -Wireless microphone", Click Confirm to use.

■ Turn on OTG (only for Android system)

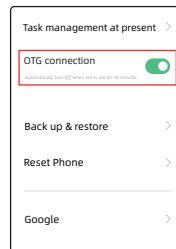
Take OPPO A72 model as an example



Step 1:
Enter the setting page



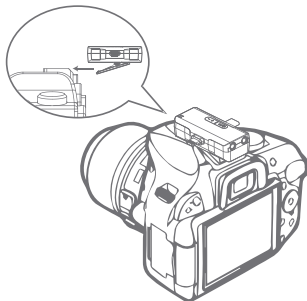
Step 2:
Enter other setting



Step 3:
Click to connect

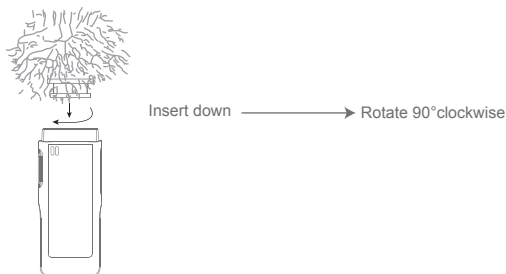
■ Instructions for installing the receiver to the camera

Before installing to the camera, use the receiver's back clip to clip on the camera shoe and then fix.



■ Wool cover installation instruction

Align the plastic buckle of the wool cover with the groove of the transmitter , insert it and then rotate 90° clockwise to fix it.



■ Label Meanings



According to the test results obtained based on RL2004/108/EG (Electro magnetic Compatibility Directive) and RL2006/95/EG (Low Voltage Directive), this product complies with the limits specified in the European Community EMC (Electromagnetic Compatibility) Directive, an integration of relevant laws from its member states.



Changes or modifications not expressly approved by the complying party may cause the user to lose permission to operate the device.

This device complies with part 15 of the FCC Rules.Operation is subject to the following two conditions:

- (1) This device may not cause harmful interference.
- (2) This device must accept any interference received, including interference that may cause undesired operation.



This symbol indicates that,according to WEEE (Waste of Electrical and Electronic Equipment)Directive(2012/19/EU) and national laws, this type of waste should not be discarded along with your household waste,as it contains potentially hazardous substances that may pose a negative impact on the environment and human health. It should be handed over to an authorized WEEE collection facility for recovery and recycle. Herewith you will be helping effective utilization of natural resources.For more information on disposal of WEEE products, please contact your local municipality, waste management bureau or household waste disposal service.

■ Safety Instructions

To avoid electric shock, overheating, fire, radiation, explosion, mechanical risk and injury or property loss due to improper use, please read and observe the following items before use:

1. Please check if the power of the connected equipment matches with that of this product before operation. Adjust the volume to proper level during operation. Do not operate at over-power or high-volume level for extended time to avoid product malfunction or hearing impairment.
2. If there is any abnormality during use (e.g., smoke, strange odor), please kill the power switch and unplug from power source, then send the product to the local dealer for repair.
3. Keep this product and its accessories in a dry and ventilated area. Do not store in a humid or dusty area for extended time. Keep away from fire, rain, liquid intrusion, bumping, throwing, vibrating, or from blocking any ventilation openings, to prevent malfunction.
4. Please abide by safety rules during operation. Do not use the product in places prohibited by laws or regulations to avoid accident.
5. Do not disassemble or repair the product by yourself to avoid injury. If you have any questions or require any services, please contact our local dealer.

■ About This Manual

This manual contains up-to-date technical specifications as of printing. However specifications contained herein may not conform to your particular product since Takstar is constantly improving its products. For the latest version/more information please visit our website: <https://www.takstar.com/>.

Specifications, devices or accessories available may vary from region to region. If you have any questions, please contact our local dealer.