



**Powerology 100W 32000mAh  
Mini Power Station with US Adapter**  
SKU: PPBCHA31

# Table of Content

Safety Guidelines .....	2
Schematic View of Product .....	2
Schematic View of Display .....	3
Key Functions .....	3
Technical Details .....	4
Charging Guide .....	5
Charging Instructions .....	6
Troubleshooting .....	7
Package Contents .....	8
Warranty .....	8
Contact Us .....	8

Before installing and using the product, please carefully read this User Manual to guarantee correct usage and keep it secure for future reference.

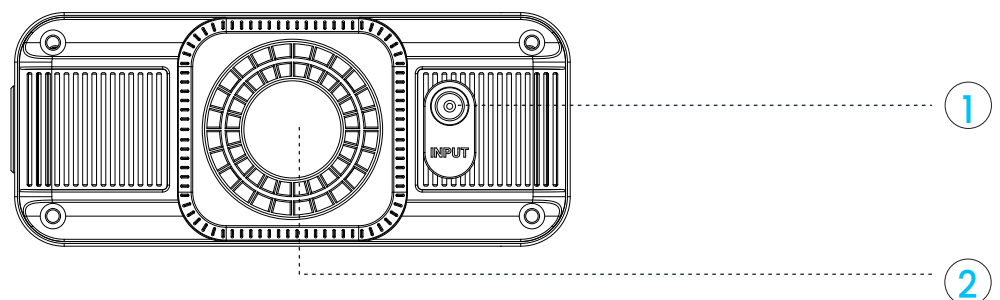
## Safety Guidelines

When using this product, you should always follow basic precautions, including:

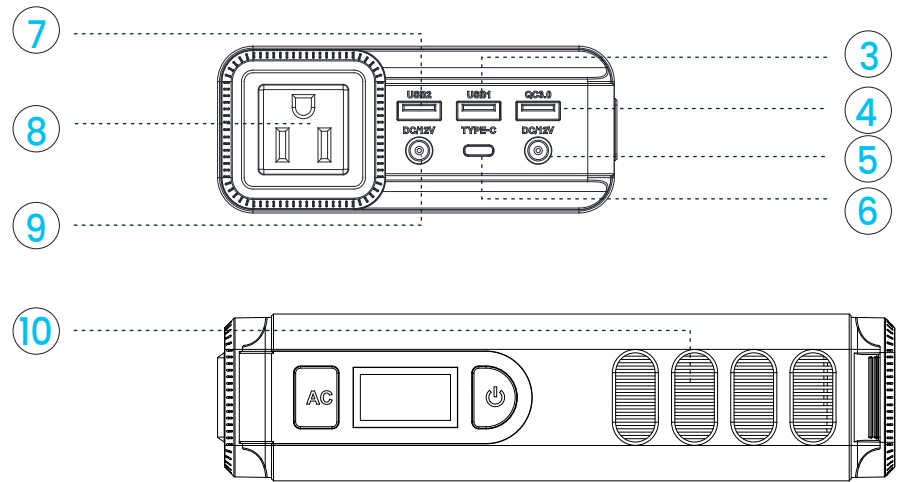
1. Please read the instruction manual carefully before using this product.
2. To reduce the risk of injury, ensure that this product is used out of reach of children or supervise its use closely.
3. Do not use any attachment that has not been recommended or is damaged.
4. Always charge the product in a well-ventilated area. Do not cover the product or obstruct airflow during charging.
5. Store the product in a ventilated and dry location to prevent damage from moisture.
6. Avoid exposing the product to environments where it may come into contact with fire or where there is a risk of overheating.
7. Charge the product only within the specified voltage range (100–240V AC, 60/50Hz). Exceeding the specified voltage leads to product failure.
8. When the product requires maintenance, do not attempt to disassemble any part of it yourself. Instead, seek professional help.

## Schematic View of Product

1. DC Input
2. Inlet

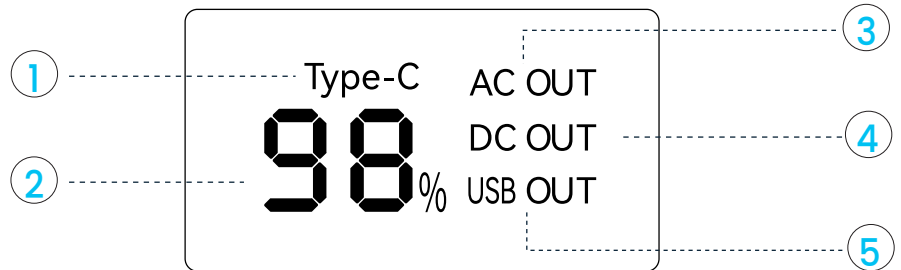


- 3 . USB Output
- 4 . USB Output
- 5 . DC Output
- 6 . Type-C Input/Output
- 7 . USB Output
- 8 . AC Output
- 9 . DC Output
- 10 . Heat Sink Port



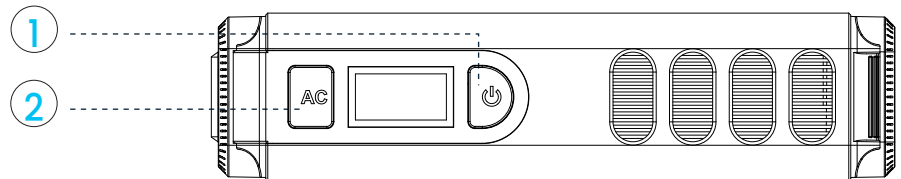
## Schematic View of Display

- 1 . Type-C Input/Output
- 2 . Power Level
- 3 . AC Output
- 4 . DC Output
- 5 . USB Output



## Key Functions

1 . Power button: Press and hold for 3-2 seconds to turn the product on or off.



To enable the DC output function, press and hold the power button for 3 seconds as the display functions normally. To deactivate the DC output feature, press the power button once more.

2 . AC button: Press and hold for 5-3 seconds to turn the AC output on or off. With the screen active, a long press of the AC button for 3 seconds will display "AC Out" for AC output. To stop the AC output, press and hold the AC button again for 3 seconds.

## Warning

1. The load on the equipment should not exceed 150W; surpassing this may trigger the product's self-protection features or cause damage.
2. In case the product's self-protection mechanism has been activated, please restart the product to restore normal function.
3. Avoid charging the product immediately after use as the internal temperature may be too high. It is best to wait for at least half an hour to allow the temperature to decrease before commencing charging.
4. The battery's performance can be affected by low temperatures. The optimal temperature for product operation ranges from 0°C to 40°C. Charging and usage should occur within a temperature range of -10°C to 40°C.
5. For optimal performance, fully charge the product before the first time use.
6. The cooling fan is designed to function when the AC output feature is active, to prevent overheating.

## Technical Details

<b>Specifications</b>		
Size	50.5×120×206mm	
Capacity	3200mAh / 115.2Wh	
<b>Output</b>		
AC Output	Rated Voltage	110V
	Rated Power	150W
	Frequency	60Hz
	Output Wave	Modified Sine Wave
USB Output	Rated Voltage	12 - 16.8V
	Rated Current	6A

DC Output	Rated Voltage	5V
	Rated Current	2.1A
Type-C Output	Rated Power	PD: 100W (Max.)
QC3.0 Output	Rated Power	PD: 18W (Max.)
<b>Input</b>		
DC Input	Rated Voltage	5 - 20V
	Rated Current	2A
Type-C Input	Rated Power	PD: 100W (Max.)
<b>Temperature</b>		
Operation Condition	Charging Temperature	0°C to 45°C
	Discharge Temperature	-10°C to 45°C

## Charging Guide

Information regarding the charging process of various common devices (considering the power limitation of 150W) is as follows:



Phone (4000mAh)  
About 7 recharges



Car fridge (60W)  
About 1.5 hours



Notebook computer (65W)  
About 1.5 hours



Drone (40W)  
About 2 recharges



Camera (16W)  
About 6 recharges



Electric fan (45W)  
About 2 hours



Camping lamp (60W)  
About 2 hours



Projector (100W)  
About 1 hour



Refrigerator (120W)  
About 0.8 of an hour

# Charging Instructions

Before utilizing this energy storage unit, ensure that it is fully charged by connecting it to an electrical outlet.

## Note:

In case the LED indicator shows a capacity below %10, promptly recharge the Mini Power Station by connecting it to an AC outlet or a solar panel.

**There are four methods to recharge the Mini Power Station:**

### 1 . DC 21×55mm Input:



Wall electrical outlet (30W)  
About 4.5 hours



Solar panels (40W)  
About 4 hours (Depending on weather)



Car charger to DC\*5521 (30W)  
About 4.5 hours

### 2. Type-C Input:



Type-C charging port (PD 100W Max.)  
About 1.5 hours

## Troubleshooting

**Question:** The connected device does not work within the rated output power range of the power station.

**Answer:** Should the power station's capacity fall below %10, its output power may be limited. To ensure consistent operation, it is advisable to charge the power station promptly.

**Question:** Why does the power station make noise during operation?

**Answer:** The noise is a byproduct of the air-cooling system and the internal fan working to dissipate heat. This sound is normal during use.

**Question:** Is it expected for the charger to become warm while charging?

**Answer:** Yes, it is typical for the charger to heat up while in use. You can proceed to use the product.

**Question:** Is it possible to power another device simultaneously while charging the power station?

**Answer:** Yes, the power station can be used concurrently with charging without any issues.

**Question:** What are the maintenance recommendations for the power station?

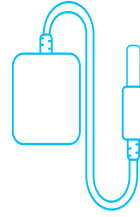
**Answer:** It is recommended to charge the power station for an extended battery lifespan after it has been discharged for half an hour. To maintain optimal battery health, please ensure to charge it at least once every three months.



## Package Contents



Mini Power Station



AC Power Adapter

## Warranty

Products that you buy directly from our **Powerology** website or shop come with a 24-month warranty. The 24 months warranty applies to products purchased directly from our **Powerology** website or store. If **Powerology** products are bought from any of our verified retailers, then the product is eligible for only 12 months warranty. To extend your product's warranty, visit our website **[powerology.me/warranty](https://powerology.me/warranty)** and fill your details in the provided form along with an uploaded picture of the product to process your request. Once approved, you will receive a confirmation email of the extended product warranty. Upload the required information within 48 hours of purchase to be eligible for 24 months of warranty period.

For more info, please check:

**[powerology.me/warranty](https://powerology.me/warranty)**

## Contact Us

If you have any questions about this Privacy Policy, please contact us at: **[hey@powerology.me](mailto:hey@powerology.me)**

Website: **[powerology.me](https://powerology.me)**

Instagram: **[powerology\\_official](https://www.instagram.com/powerology_official)**

Facebook: **[powerology.ME](https://www.facebook.com/powerology.ME)**