



Powerology
Multi-Joint Flood Stand
with Metal Base for Phone and Tablet
SKU: PTBS170

Before installing and using the product, please carefully read this User Manual to guarantee correct usage and keep it secure for future reference.

Warning

1. Children must use this product under adult supervision.
2. The company holds no responsibility for problems resulting from misuse, disassembly, or unauthorized modifications.

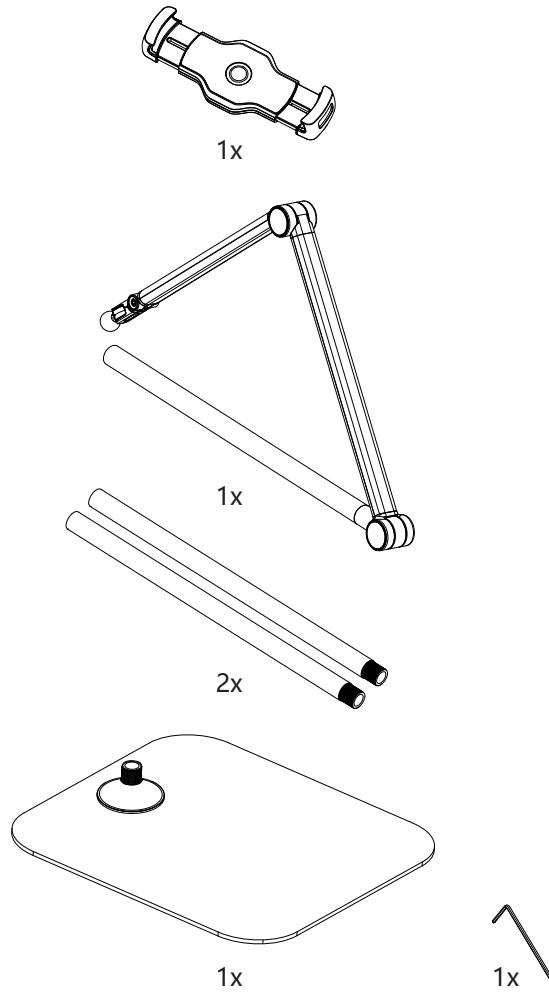
Features

1. **High-Grade Metal & Aluminum:** Constructed from premium metal and aluminum, the stand offers superior durability and sleek aesthetics, ideal for modern settings.
2. **Heavy Duty Base:** Features a robust and stable base designed to securely support your devices without wobbling, even with extended use.
3. **12.9" Device Compatibility:** Specifically designed to accommodate devices up to 12.9 inches, making it suitable for a variety of phones and tablets.
4. **170cm Height:** The stand extends to a maximum height of 170cm, providing ample flexibility for adjusting to various viewing angles and heights.

Specifications

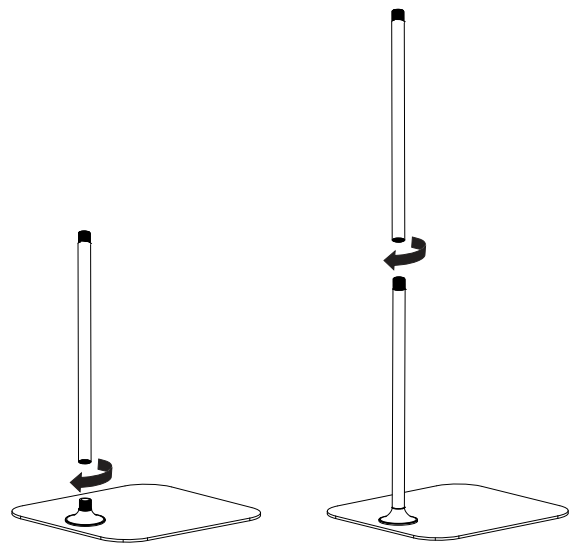
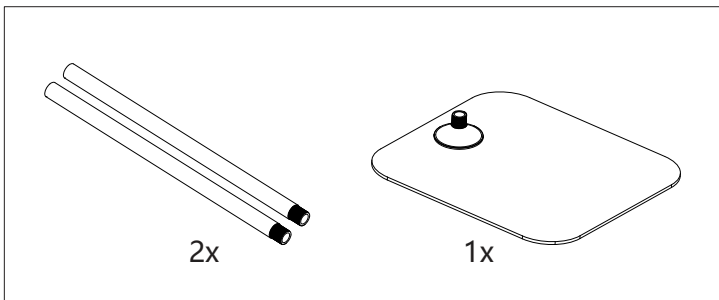
Build	Iron plate, ABS, Zinc Alloy
Compatibility	Fits 4.7" - 12.9" Phone & Tablet
Rotation	360° rotating head for multi-angle viewing.
Arm	Telescopic and flexible arm design, adjustable from 110 cm to 170 cm.
Base	Heavy-duty rectangular base.
Load Bearing	Capable of securely holding devices up to 2kg.

Components

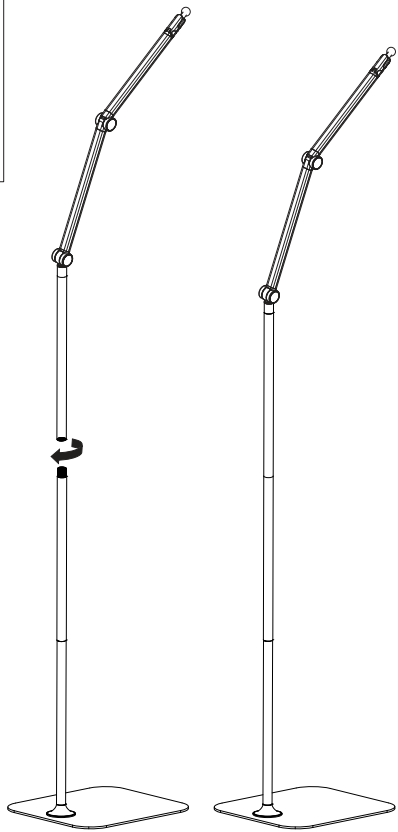
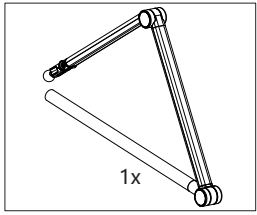


Installation

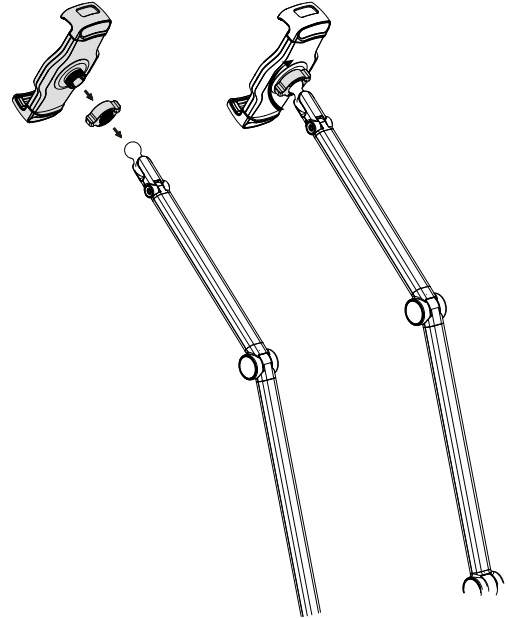
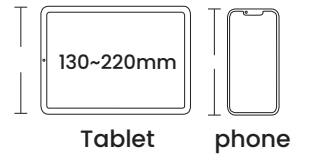
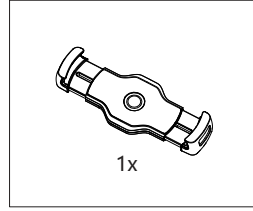
Step 1



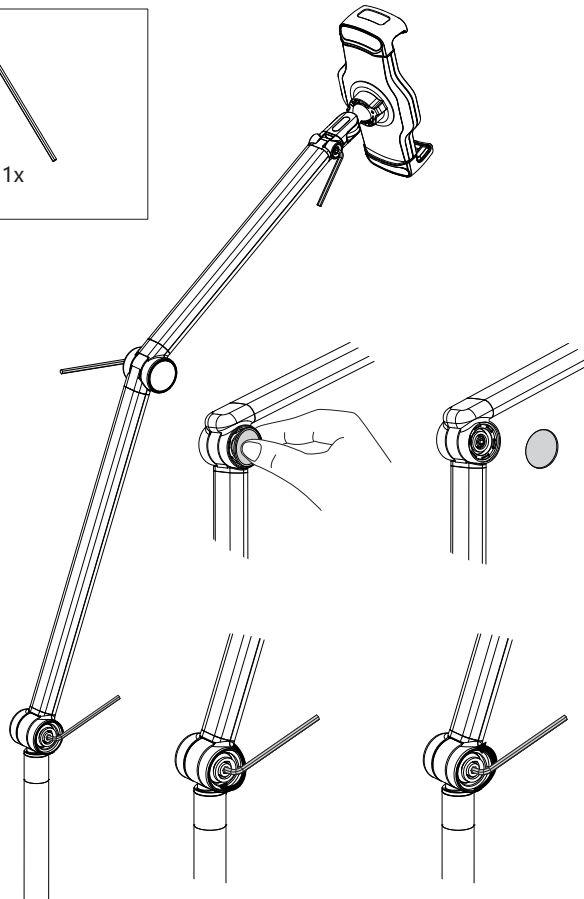
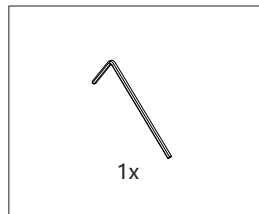
Step 2



Step 3



Step 4



Warranty

Products that you buy directly from our **Powerology** website or shop come with a 24-month warranty.

The 24-month warranty applies to products purchased directly from our **Powerology** website or store. If **Powerology** products are bought from any of our verified retailers, then the product is eligible for only a 12-month warranty. To extend your product's warranty, visit our website **powerology.me/warranty** and fill in your details in the provided form along with an uploaded picture of the product to process your request. Once approved, you will receive a confirmation email of the extended product warranty. Upload the required information within 48 hours of purchase to be eligible for a 24-month warranty period.

For more info, please check:
powerology.me/warranty

Contact Us

If you have any questions about this Privacy Policy, please contact us at: **hey@powerology.me**

Website: **powerology.me**

Instagram: **[powerology_official](https://www.instagram.com/powerology_official)**

Facebook: **[powerology.ME](https://www.facebook.com/powerology.ME)**